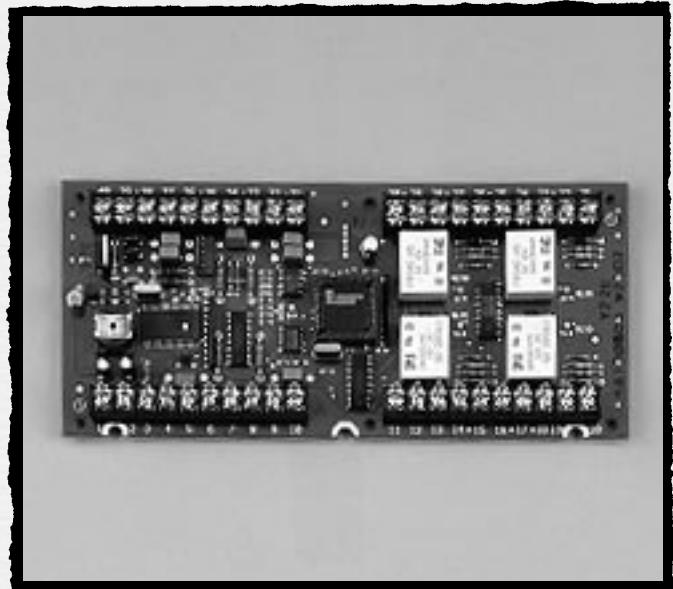


The Quad Relay Module (QRM)

The Quad Relay Module (QRM), provides additional output functions for the PassPoint Access Control System. It has four form C, supervised output relays. The QRM also provides four trigger outputs. Potential applications for these “additional” outputs could be:

- ◆ Elevator control
- ◆ Operate valves or annunciators
- ◆ Signal a foreign security system by shorting a zone
- ◆ Other control functions



ADEMCO Access Control System, QRM Quad Relay Module.

Key Features:

- ◆ 8 bit microprocessor.
- ◆ EEPROM based configuration storage.
- ◆ Echelon Network interface implemented with an Echelon transceiver.
- ◆ 4 Form C supervised relays, rated at 5A resistive load @ 28VDC/125VAC. The supervision input indicates voltage is present when the common point of relay has greater than 8.5 VDC. Relays are accompanied by an LED which is illuminated when a relay is energized.
- ◆ 4 Open collector trigger outputs (15 mA, 15 VDC maximum).
- ◆ Power supply monitor inputs for AC loss and low battery detection.
- ◆ All terminal blocks accept push-on terminal strips.

QRM Quad Relay Module

APPLICATIONS:

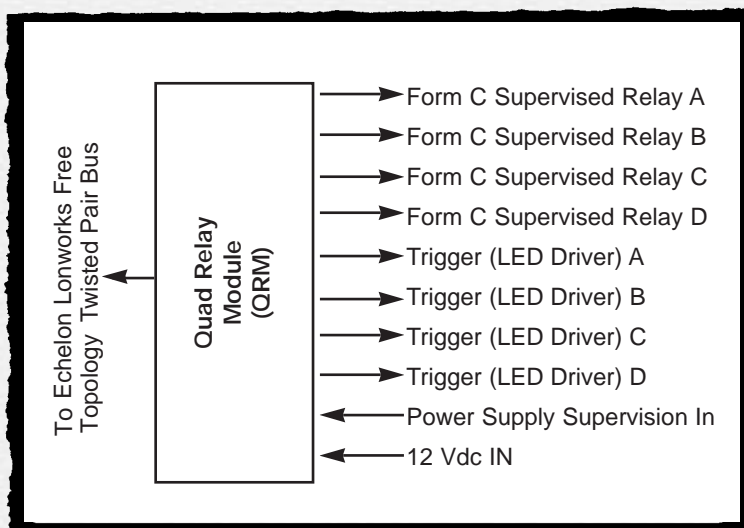
Once the appropriate configuration information has been transferred from the MLB to the QRM, the QRM controls relays and triggers according to its stored configuration information stored on board and access according to commands generated by the MLB. It keeps a copy of its configuration in an on board EEPROM. These resources will be under direct control of the MLB and are not committed to an access point.

INSTALLATION:

The QRM communicates with its MLB via a twisted pair network connection. Physically, this connection adheres to Echelon Free-Topology Transceiver specifications. Logically, the connection is made through the use of the Echelon Lonworks Protocol. Each QRM connected to the network is identified by a unique 48-bit serial number which is present in the QRM's neuron chip.

Order Information:

<u>Part No.</u>	<u>Description</u>
PTQRM	Quad Relay Module



SPECIFICATIONS

The QRM obtains its power from the LOCAL power output connection of its associated Access Control System Power Supply when mounted in a cabinet with a dedicated ACS PS. When mounted in a cabinet along with an MLB or DCM, it obtains its power from the ACS PS REMOTE power output. The QRM requires 10.5-14V DC @ 100mA. It also provides two power supply monitoring inputs: low battery and AC loss. These two inputs are compatible with the corresponding monitoring outputs of the Access Control System Power Supply.